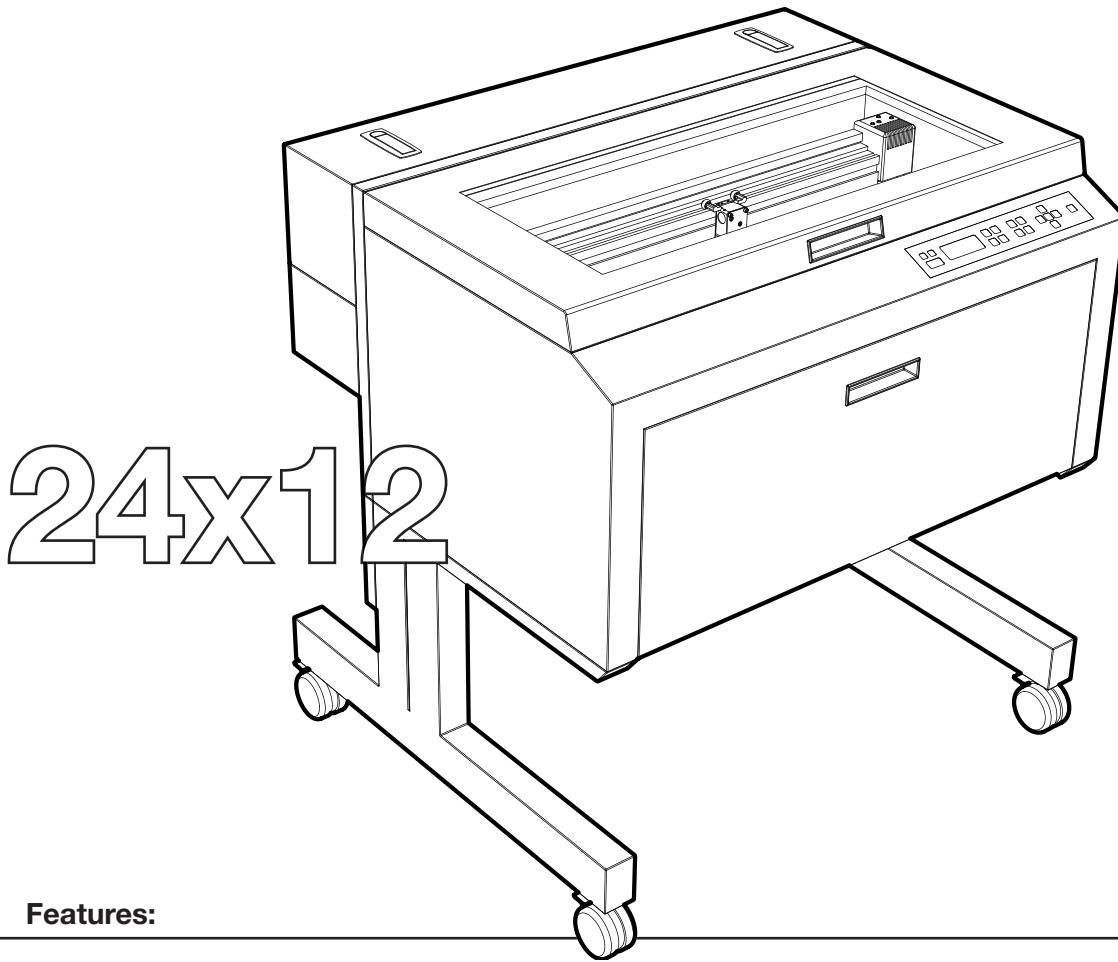


# Value Series



## Features:

**M-300** ≡

Free-standing unit with integrated cart, motorized Z-axis, auto focus, X-Y beam positioning system, self adjusting spring loaded sealed bearings, stationary processing table, Quick Change Laser Cartridge™ compatibility, shielded optics path, interchangeable focusing optics, flash upgradeable electronics, job complete indicator, system status indicator, relocatable origin, enhanced vector cutting, 3D engraving and rubber stamp mode.

- Productive and affordable
- Industry standard 24" x 12" work area
- Patented Cross-Platform Compatibility with ULS air-cooled Quick Change Laser Cartridges™
- Patented 25-50 watt Rapid Reconfiguration Capability™
- Low electrical consumption
- Appropriate selection of productivity accessories

[www.ulsinc.com](http://www.ulsinc.com)

**UNIVERSAL**  
LASER SYSTEMS INC.

**Specifications: M-300****Facility Requirements**

9.3.04

<b>Laser Compatibility</b>	UL-25, -30, -35, -40, -45, or -50 watt air-cooled, RF driven, sealed CO <sub>2</sub> laser in the pre-aligned Quick Change Cartridge™.
<b>Available Accessories</b>	Rotary fixture, cutting table, lens kits, co-axial air assist with optics protection, USB connection kit and ethernet connection kit. The M-300 is not compatible with dual head or computer controlled air assist.
<b>Focusing Optics</b>	Standard 2.0" (50mm) focal length lens in enclosed lens cartridge; optional lenses available.
<b>Power Control</b>	Digital power control continuously variable from 0 to 100%, automatic proportional pulsing and color linked power settings.
<b>Work Area</b>	24" x 12" (609 x 304mm)
<b>Table Size</b>	29" x 17" (736 x 431mm)
<b>Maximum Part Size</b>	29" wide x 17" deep x 9" thick (736 x 431 x 228mm)
<b>Computer Interface</b>	Parallel port standard. USB and ethernet optional. Compatible with Windows® 2000/XP and Macintosh OS®9.
<b>Memory Buffer</b>	Intelligent buffer with automatic data compression stores up to 99 files with all settings; files are addressable and repeatable in any order and may be deleted after completion to free memory; buffer can be switched to single file mode.
<b>Display Panel</b>	LCD display shows current file name, laser power, engraving speed, run time, files loaded into memory buffer, setup and diagnostic menus.
<b>Operating Modes</b>	Optimized raster or vector engraving, vector cutting or combined vector/raster process.
<b>Dimensions</b>	38" high x 36" wide x 30" deep (965 x 914 x 762mm)
<b>Weight</b>	Approximately 235 lbs (106kg)
<b>Safety</b>	Meets CDRH and EN60825-1 requirements for Class 1 laser safety enclosure for CO <sub>2</sub> laser and Class 3R for red pointer.

<b>Electrical</b>	Single phase 110 VAC, 15 amp, 50/60 Hz Single phase 220 VAC, 8 amp, 50/60 Hz
<b>Exhaust</b>	Outside exhaust required. One 4" (102mm) connection requiring 250 CFM air flow at a static pressure of 6 inches of water (425m <sup>3</sup> /hr at 1.5kPa).
<b>Cooling</b>	Air-cooled, ambient operating range of 50°-95°F (10°-35°C).



©2004 Universal Laser Systems, Inc. Protected under one or more of U.S. patents 5,661,746; 5,754,575; 5,867,517; 5,881,087; 5,894,493; 5,901,167; 5,982,803; 6,181,719; 6,313,433; 6,342,687. Other U.S. and International patents pending. Specifications subject to change without notice. Windows is a registered trademark of Microsoft, Inc. Mac OS9 is a registered trademark of Apple Computers, Inc.